

SONO FARM mini



USER MANUAL

www.draminski.com

Manufactured by:

DRAMIŃSKI S.A.

Wiktora Steffena 21
11-036 Sząbruk
Poland

Phone: +48 89 675 26 00

e-mail: sales@draminski.com

www.draminski.com

DRAMINSKI S.A. company established and maintains a full quality management system meeting the requirements of the **EN ISO 9001:2008** standard. The system is periodically audited by a notified authority **TUV Rheinland LGA Products GmbH**, Tillystrasse 2, 90431 Nuremberg, Germany, which participates in the conformity assessment.

Declaration of conformity

It can be obtained in our Sales Department:

Phone: +48 89 675 26 00

e-mail: sales@draminski.com

We wish you and all the users of our product every success with your patients and we are convinced that with our product you will be able to serve your patients well.

DRAMINSKI S.A. company will be happy to hear any comments from our clients with regard to the device and this instruction.

Please call us: **+48 89 675 26 00**

and send emails to: sales@draminski.com

Developed by DRAMINSKI S.A.

All rights reserved.

Copying without the consent of DRAMINSKI S.A. is prohibited.

CONTENTS

INTRODUCTION.....	5
ACCESSORIES.....	5
DESIGN OF THE SCANNER.....	6
SPECIFICATIONS.....	12
FRONT PANEL with a membrane keyboard.....	13
PREPARING THE DEVICE FOR OPERATION.....	15
MENU STRUCTURE.....	16
ANIMAL EXAMINATION.....	19
CHARGING BATTERIES.....	20
MAINTENANCE OF THE DEVICE AND PROBES.....	22
TOUBLE SHOOTING.....	23
GUARANTEE.....	24

Information on the user manual for the device

The goal of this User Manual is to identify the technical characteristics of the device. It has been written in an accessible way to facilitate, as much as possible, the use of information contained in it.



In no way will reading the manual substitute even a basic ultrasound course. It is necessary that the user of the device completed an appropriate training during authorized ultrasound courses.

Individual chapters of the manual describe the construction, all accessories used during normal use of the device, preparation for work as well as functions and operation of the ultrasound scanner.

Warnings and comments used in this manual

Due to the need of emphasizing important content in this manual, the following ways of highlighting were applied:



Warning! - when necessary to draw attention due to safety of the patient or the user of the device.

Attention! - when necessary to draw attention due to the protection of the device against damage or due to its proper operation.

Bold text - to draw attention to more important fragments in the manual or to make them more distinct or legible..

Descriptions to diagrams and drawings - to make it easier to spot the details.

Since symbols used in the manual do not fully inform about safety tips, you should read the tips first and follow them!

INTRODUCTION

Ultrasound scanners, widely applied in farming, prove to be an exceptionally helpful tool in precise diagnosing of animal pregnancy. B-mode ultrasonography is a highly effective method of scanning in real-time which enables a two-dimensional imaging of tissues' cross section. On the monitor, tissue structures are presented as bright points which brightness is proportional to the amount of reflected ultrasonic waves. Tissues reflecting a lot of waves are displayed as bright or light grey points. Liquids, in which the waves do not reverberate, are presented as dark points. The quality of the obtained image depends largely on the frequency of the waves sent by a probe. The higher frequency, the better resolution of the image. However, along with the increase in the frequency the depth of penetration is decreasing, and the rate of absorbing and dispersing waves is increasing almost linearly.

Ultrasonography is a very effective method of diagnosing pregnancy. The majority of researches is confirming that thanks to ultrasound devices it is possible to easily detect pregnancy at pigs already in 23rd day, at sheep in 40th day, and at cows in 30th day. Conducting diagnostics in earlier phases does not guarantee a one hundred percent certainty. Also, the effects of ultrasound examination depend largely on the skills of an individual user.

Thanks to the miniaturization, portable ultrasound scanners have become a standard equipment used for effective reproduction management in the farming of pigs, sheep, goats, cattle and other animals.

Ultrasound scanner SonoFarm Dramiński mini is designed for a comfortable, fast and reliable diagnosing pregnancy at animals. It is a portable device powered by a highly efficient battery pack (a fully charged battery pack enables over 6 hours of continuous work).

Thanks to its small size and weight, **SonoFarm mini** makes the examination of animals very easy even in difficult conditions.

The ultrasound scanner is delivered in a purpose-designed transport suitcase which holds all sub-assemblies necessary for the use of the device. It is a strong and durable suitcase which protects the device from damage and ensures convenience at transport.

DRAMIŃSKI S.A. congratulates you on the purchase and wishes you a pleasant and effective use of the device.

ACCESSORIES

No	Name and description	Amount
1	The device with a LCD screen and keyboard	1
2	5.0 MHz sector probe, abdominal 5.0 MHz sector probe, rectal 5.0 MHz sector probe, Down Fire type	1 optionally optionally
3	A set of belts: neck and waist belts	set 1
4	External battery pack Li-Ion 14.4V/3.1Ah	1
5	A dedicated battery pack charger (with wires)	1
6	Transport suitcase with a foam filler	1

DESIGN OF THE SCANNER

Sono Farm mini is built from a few elements:

1. A case with membrane keyboard and LCD LED display
2. An ultrasound probe pluggable to a multipin plug
3. An external battery pack (charging)
4. A charger for the battery pack; powered by a 110-240V/ 60Hz power grid

1. Construction of the ultrasound scanner

The casing is made of high quality aluminum. Battery pack fastening is placed on the back part of the device.

On one side of the casing, there is a 12-pin probe connector. The connector is blinded with a special cap protecting the connector against moisture and dirt when the device is not being used.

The description and place of particular case elements is shown in the following pages of this manual.

Warning!

Although the ultrasound scanner has a solid construction, it should be treated with caution when used or transported and not being forcefully hit to avoid possible damage. Probe connectors should be protected from dirtying and wetting.

Applied high quality 5" diagonally LCD monitor with LED highlighting is characterized by very wide angles of looking, an outstanding contrast, brightness and resolution which together guarantee that the device displays only a high quality ultrasound image. The brightness of the monitor can be adjusted by the user in the appropriate position on the menu.

Membrane keyboard. The functions and place of particular buttons in the membrane keyboard together with their descriptions are shown in the following pages of this manual.

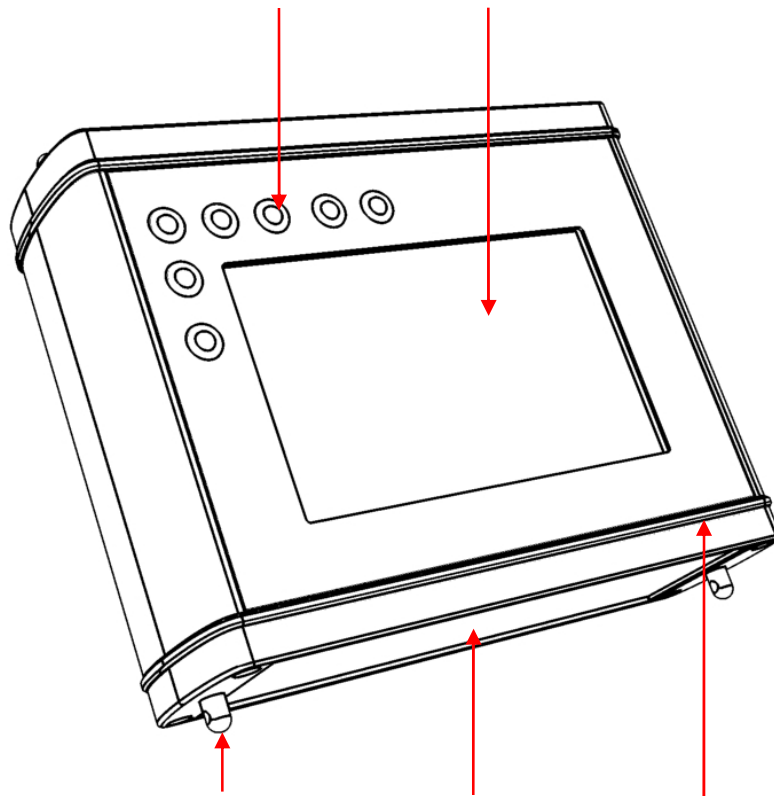
The casing has a four point system of fixing the belt which enables the user to carry the device on their neck.

The ultrasound scanner is a high-tech device. Miniaturization and independent powering enable the full mobility and the freedom of action even in the most difficult conditions.

The view and the description of casing elements

Membrane keyboard w th
a window for the monitor

monitor LCD LED

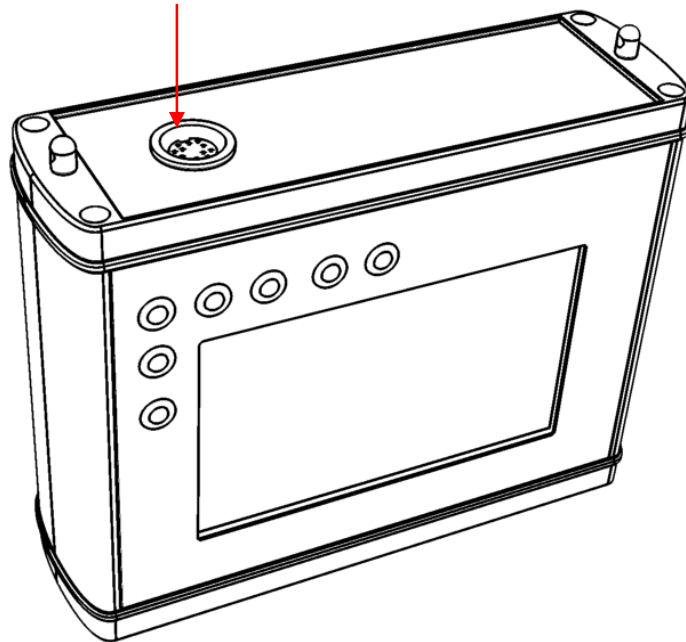


fastening of the
load-bearing belt

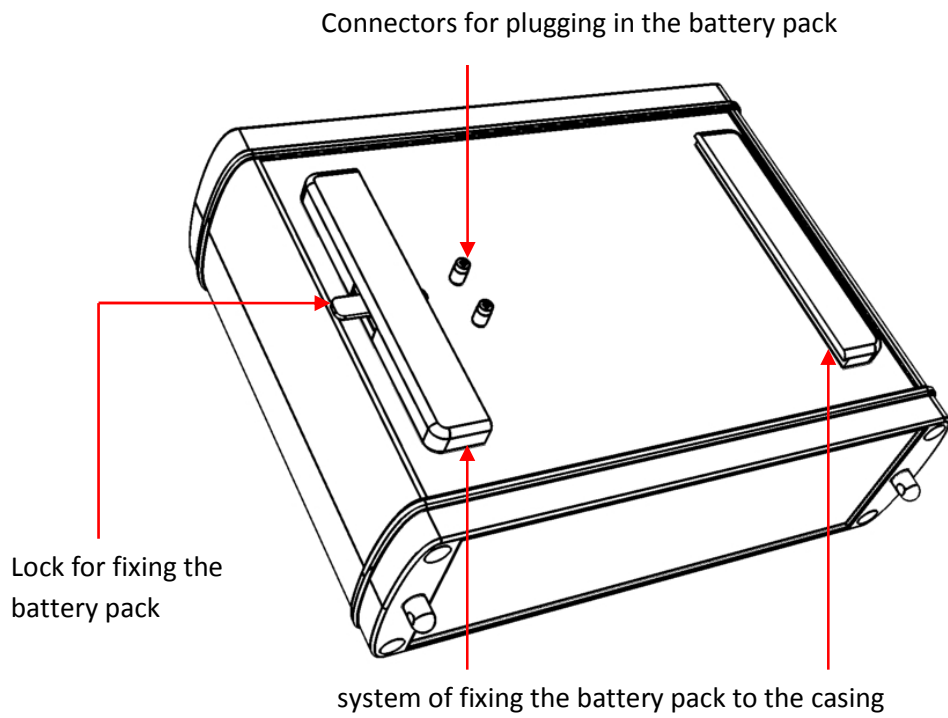
body of aluminum
casing

silicone
gasket

12- pin connector for connecting heads



View of the back of the casing without the attached battery pack



2. Sonda ultradźwiękowa

Probe (head) is a crucial element of the device. Ultrasound scanner **DRAMIŃSKI SonoFarm mini** is equipped with one port but can cooperate with three types of mechanical sector probes, these are:

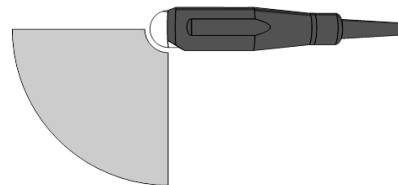
Rectal probe, sector 5.0 MHz (3-7 MHz), 180 degrees angle of scanning



Abdominal probe, sector 5,0 MHz (3-7 MHz), 90 degrees angle of scanning



Abdominal-rectal probe, sector 5,0 MHz (3-7 MHz), 90 degrees angle of scanning, „Down Fire” type



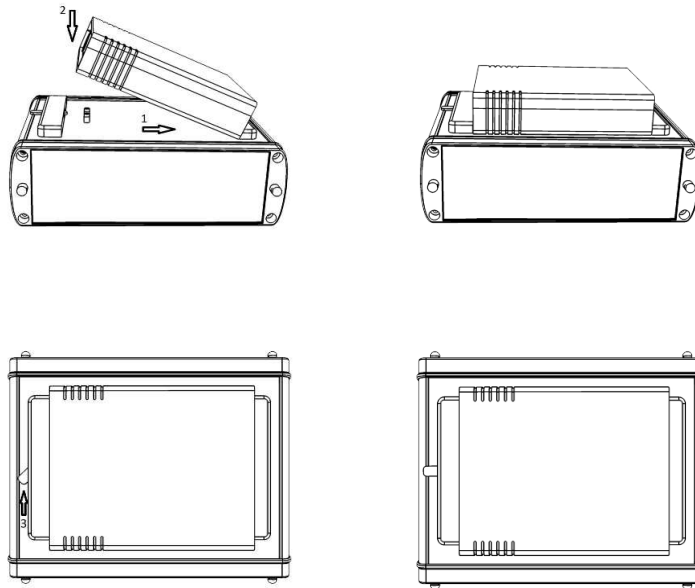
Warning! Because of an intricate mechanism of probes, one should exercise caution during the work and protect the probes from a fall or a strong hit. Small dome, under which a small piezo ceramic element is placed, should be protected from damage and scratches.

3. Battery packs

Specially configured Li-Ion type batteries create an enclosed package with own thermal cut-out, safeguarding against the overheating during loading. The battery pack is fastened to the back of the device with a special system of fastenings with a lock.

There is a socket for the charger cable as well as a special slots with joints used for an electric connection with the ultrasound scanner.

Li-Ion type battery pack



Pic. Outline of connecting the battery

The vitality of batteries is predicted to 500 cycles of loading. Thanks to using modern batteries with the great capacity of 3.1 Ah, it is possible to obtain over 6 working hours.

Precautionary measures in dealing with the lithium-ion battery pack are described in further chapter of this manual, namely in: CHARGING BATTERIES.

4. Battery charger for the battery pack

The battery pack can be only charged with a dedicated charger powered by a power grid of 110-240V/60Hz and equipped both in wires and a color diode signaling the state of the charging process.

Warning: The battery pack should be charged only with the original battery charger delivered with the ultrasound scanner.

More details relating to charging battery packs and the use of the battery charger are presented in the chapter "charging batteries".

Lithium-ion battery pack charger



SPECIFICATIONS

<i>Depicting method</i>	In real time B-mode
<i>Frequency of probes</i>	3 -7 MHz – central frequency - 5.0 MHz
<i>Probe types</i>	sector, mechanical: 1. abdominal, 2. rectal, 3. Down Fire
<i>Frequency of probes</i>	3 -7 MHz – central frequency - 5.0 MHz
<i>Penetration depth</i>	up to 25 cm (for abdominal and Down Fire probes)
<i>Scanning angle</i>	90° - abdominal and Down Fire probe, 180° - rectal probe
<i>Screen</i>	5.0"LCD - LED,
<i>User interface</i>	membrane keyboard
<i>Image store</i>	100 images
<i>Power source</i>	external battery pack Li-Ion 14.4 V, 3.1Ah
<i>Time of continuous work</i>	6 hours (when fully charged)
<i>Time of charging the battery pack</i>	2 hours 30 minutes
<i>Indicator of discharging the battery</i>	automatic – sound signal and graphic indicator
<i>Size</i>	length 17,5 x width 14,5 x height 6,0 cm
<i>Scanner weight</i>	1010g (without a probe and a battery pack)
<i>Probe weight</i>	250g
<i>Battery pack weight</i>	280g
<i>Working temperature</i>	-15 °C do +45 °C
<i>Storage temperature</i>	0 °C do +45 °C

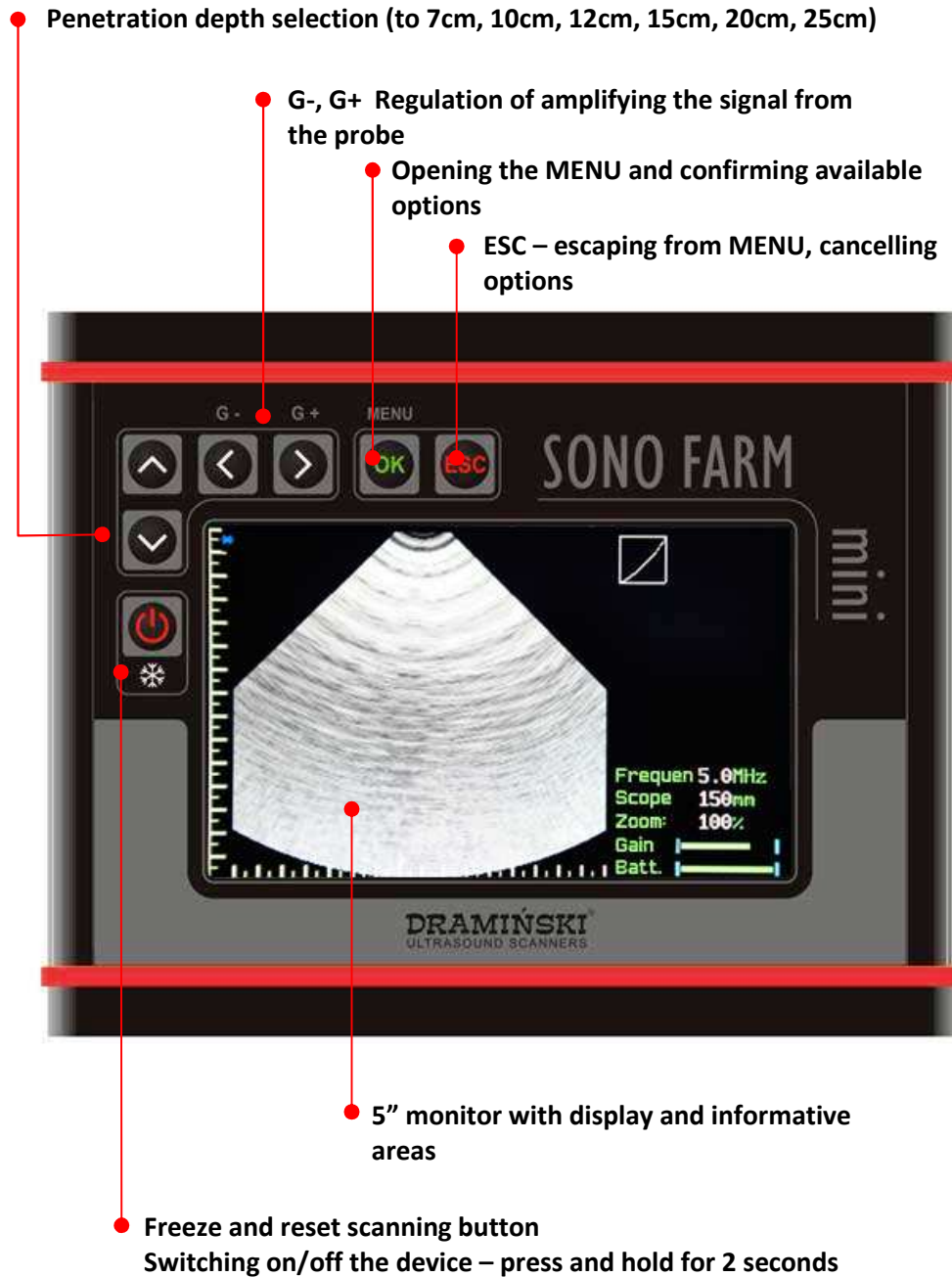
Warning!

If storage temperature is lower than 5°C, the probe has to be warmed before starting the device (for example by putting the probe in warm water for one minute).

Using the scanner alternately in extremely hot and cold temperatures affects adversely its work and can cause damage.

FRONT PANEL with a membrane keyboard

Front panel, apart from LCD display, contains also a membrane keyboard enabling the user to change parameters during examination. The function and placing of the buttons are shown in the picture below:

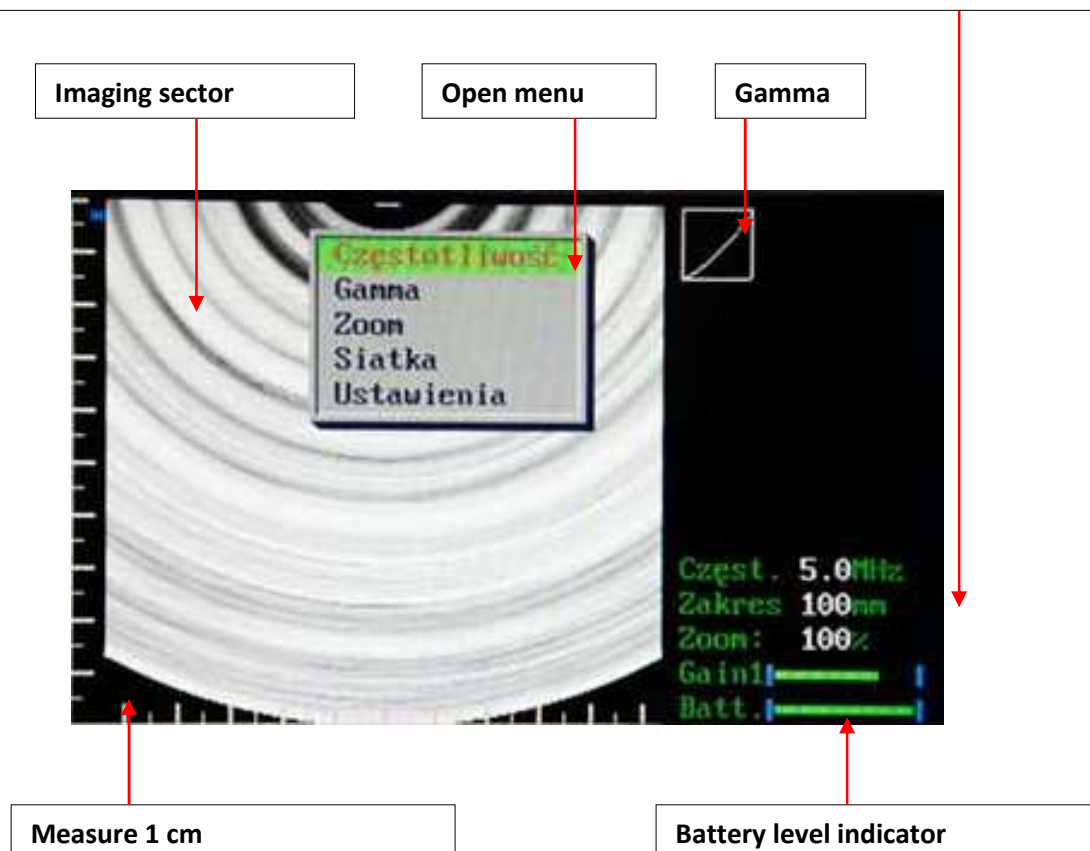


PARTS OF THE SCREEN

Messages and pieces of information are displayed on the screen during ongoing work with the device.

A sample view of ultrasound scanner SonoFarm mini with a description of messages and displayed information:

Information bar showing actual settings: the level of probe signal amplification (Gain), set probe frequency, scope of scanning, zoom, gamma level, freezing the image, the state of the battery.



Plugging in the probe

Warning!

Probe connector should be protected from mechanical damage, dirtying and wetting. Probe wire should be protected from overburden, strong repeated bending and pulling.

After precise sticking in the round connector to the nest in the casing, one should screw probes in holding them by the metal part in order to ensure the full and correct contact of the probe connector with the nest in the casing.

Ultrasound scanner DRAMIŃSKI Sono is equipped in one multipin socket for connecting probes.

Warning!

Probes should be exchanged when the device is switched off.

In order to change the probe, one should unscrew the connector holding it by the metal part, take it out and then stick the new probe in and screw the connector in properly.

The pinned up head will automatically be recognized by the system and the sector of depicting will change appropriately to the type of the connected probe.



Probe correctly pinned up to the device

Pinning up and checking the state of charging the battery pack

In order to check the state of charging the batteries, one should attach the pack to the device and switch it on. A color indicator displayed on the information bar will inform the user about the time the device could work using the energy stored in the battery pack.

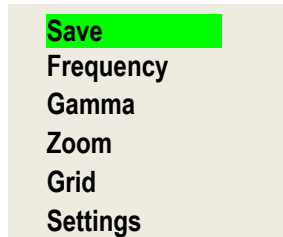
- | — |** red color indicator – the pack needs charging, only 15 minutes work possible
- | — |** yellow color indicator – around 1.5 hour work possible
- | — |** green color indicator – minimum 2 hour work possible, 6 hours with a fully charged battery pack

Navigating the menu

The menu of SonoFarm mini ultrasound scanner, which is simple and very intuitive, can be opened with the „OK” button. Particular options can be chosen and settings can be changed with the \wedge \vee buttons. Chosen option is highlighted green.

In order to confirm an option, use the „OK” button. In order to escape a selected menu option, use the button „ESC”. **In some options, messages (hints) about the buttons that can be used for setting or changing a selected parameter.**

Menu has a few listings and allows the user to set the following parameter:



Save. This option allows to save images in the memory of the ultrasound scanner.

This option is enabled only after freezing the image. The image is saved after OK button is pressed. The device can store up to 100 images.

Frequency. The option enables the change of the frequency created by the head in order to optimize the image.

The option enables the user to filter the frequency, created by the broadband head, from 3.0 to 7.0 MHz. The frequency value is displayed in the information bar.

Gamma . The option enables the change of the scale of greyness in order to optimize the image.

The option enables the change of features of the image in the contrast and the brightness - gamma correction. On the information bar of the screen, a graphical form of curve gamma is displayed. Level gamma (scope from 1 to 7) can be set with the buttons \wedge \vee . This option is used for the optimization of the diagnostic quality depending on the type of the conducted examination, the species of the examined animals and the conditions in which the examination is conducted. The regulation of gamma can be done in real time during scanning. The level of Gain should be always adjusted after changing Gamma level in order to obtain the most optimal quality of image.

Zoom. The option of magnifying the image.

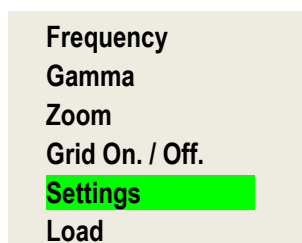
This option is used to magnify the displayed image from 100% to: 120%, 140%, 160%. To regulate the zoom, use the buttons \wedge \vee , and confirm with the „OK” button.

Grid. The option of approximate measuring by displaying the grid.

The option enables the user to switch on and off the grid or the so called gun point. To do so, use the \wedge \vee buttons .

Grid - putting the net on the image in the form of horizontal and vertical lines. The net of 1 cm resolution calibrates itself automatically along with the change of the depth of scanning.

Gunpoint – option of approximate measuring with a 1mm scale put centrally on the image.



Brightness

Language

Factory settings

Set probe

Switch L-R

Sound

Auto shutdown

Setting User options enabling the change of parameters and setting the system.

Monitor brightness The option of adjusting the level of brightness of the image displayed on the LCD monitor.

After selecting this option, one can change the brightness of the image displayed on the LCD monitor in the range of values from 1 to 15.

Language. The option of selecting the language.

After selecting this option, a window with a list of available languages appears.

After selecting a language and pressing „OK” button, the system automatically switches to the selected language version.

Factory settings. The option of restoring the factory settings.

After confirming this option, the system displays the message: „**To restore Factory settings, Press OK**”.

After pressing OK, the system switches off and after switching on again, the factory settings are restored.

This option should be used only in the case of malfunction of the device or when there are problems with selecting optimal settings. After selecting this option, the system automatically sets the language of the system to the English version.

Setting the probe.

The option is rarely used. This option is used in the service for the correction of the probe head after it has been hit forcefully or dropped on the floor.

A lightly blurred, indistinct image is a typical sign of this malfunction. After selecting this option, the system displays the message: “Set the probe” which enables to choose the best value of the index to obtain a stable probe image. After stabilizing the image from the probe, confirm the shown value with „OK” button.

In the case of a rectal 180 probe, one should set „the view” of the probe perfectly downwards by using the \wedge \vee buttons.

Switch L/R (Left-Right)

This option enables the change of the shown probe image to right or left hand so that it matches the actual side of scanning. This is particularly essential in the case of the examination conducted with a rectal probe by left or right handed users.

Sound

The option enables to switch off or on the sound associated with pressing the buttons. This option can be useful while examining timid animals.

Auto shutdown. The option of automatic switching off the device.




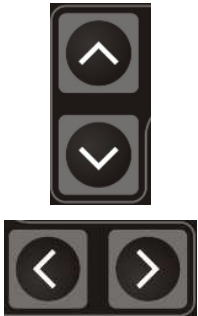
The user has an option to choose the time after which the device switches off. The time is counted from the last use of any keyboard button and can be set to: 2, 5, 10, 20, 30 minutes or - - - - (the device does not switch down itself automatically).

This is a battery saving option which proves to be helpful when the device is switched on and left alone for a period of time.

Load. This option allows to load stored images.

The option is chosen in the menu and confirmed with OK button. The most recently saved image is going to be displayed. Use arrows \wedge \vee to select the image you want to display.

MOST OFTEN USED FUNCTIONS during the examination

Freezing the image		After pressing this button, the image is frozen and the information bar displays the message „Frozen”. In order to continue scanning, press the button again. Attention! At longer holding the button (over 2 seconds) the device automatically switches itself off. Freezing is a basic function used during the examination of animals.
The regulation of the amplification		Button G – and G + allow to regulate the level of amplifying the signal in nearer and more distant range from the head. The levels of amplifying are regulated in order to optimize the level of the legibility and diagnostic quality of the image. This is dependent on the type of the conducted examination, the species of the examined animals and the conditions in which the examination is conducted.
Change of the penetration depth		The reach of the penetration (depth of scanning) is set with \wedge , \vee buttons. The depth is adjusted to obtain the optimal image quality in a given examination (taking into account the type of the probe, the type of examination and the conditions in which the examination is conducted). The maximum depth of both abdominal and Down Fire probes is 25 cm; in the case of a rectal probe, it is 12 cm. The value of set scope is displayed on the information bar. At the bottom of the screen, there is a 1 cm measure 1 cm which calibrates itself automatically along with the change of the depth of scanning.
Dimensioning		This option allows to measure and object with markers. To measure, freeze the image and use the arrows to set the markers. Confirm the position of a marker with OK button. The measurement is displayed on the right side of the screen. One image can display up to 4 measurements. The measurements disappear after pressing ESC button.

ANIMAL EXAMINATION

The device and accessories should be prepared before work.

1. Switch on the power supply and check whether the indicator is not signaling that the batteries require loading up. Fully charged batteries ensure over 6 hours of regular work of conducting animal examination.
2. Examination requires a special gel. (you are asked to use gels recommended for ultrasound scanning, best after assuring that they have special certificates allowing appliance).

The good gelation enhances the penetration of signals and allows obtaining reliable and clear images.

Before starting work, make sure whether there is enough gel required for all the planned examinations.

The best results are attained using a high density gel which is not shoving off easily from the head of the probe. Such gel improves the comfort of work.

The obtained results are affected by a few factors, among others the preparation of the animal, placing the head, penetration surface, amount of gel and the skills of the user.

The belt fastened to the scanner enables the regulation of his length and the tilt angle of the device. The regulation should be done accordingly to the needs of the user before conducting an examination.

During an examination, a keyboard is used for choosing the best settings for a given situation.

CHARGING BATTERIES

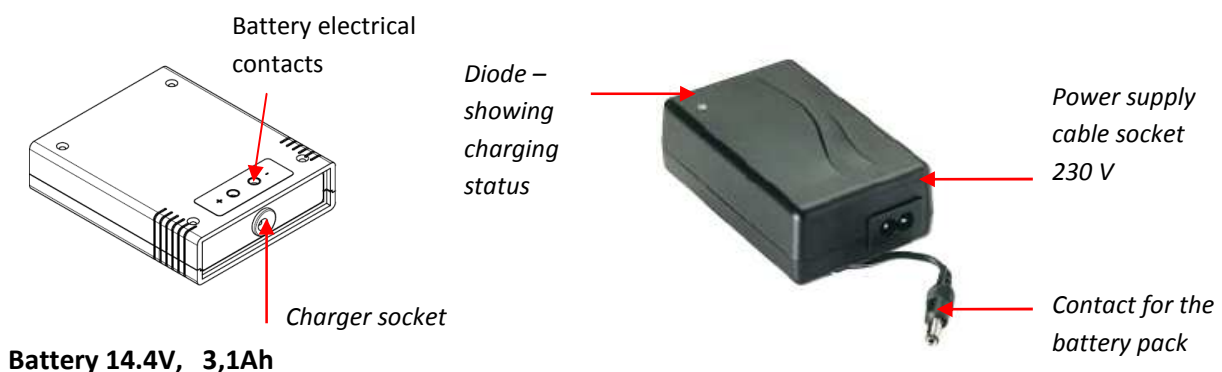
The Li-Ion battery is a rechargeable pack. Battery life depends on the manner of use. Ideally, it should work in full cycles, i.e. fully charged - fully discharged.

DRAMIŃSKI BATTERY PACK batteries are expected to last for about 500 charging cycles. Owing to the use of high capacity batteries, it's possible to work long hours with one battery. (over 6 hours).

At the bottom of the screen, Dramiński SonoFarm mini has a graphic indication of battery status. When the indicator is shortened or changes from green to yellow, it means that the battery will be discharged in about 1.5 hours. When the color changes from yellow to red, it means that the battery will work for about 10 minutes. If the device is still switched on, the pack will be fully discharged, a message will appear in the middle of the screen, and the device will turn off automatically.

Charging DRAMIŃSKI BATTERY PACKS (3.1Ah)

To charge the battery pack a special charger should be used, which guarantees proper charging of packs.



To charge the battery pack follow the activities described below:

- turn off the power (ON/OFF) of the ultrasound scanner,
- disconnect battery from the scanner
- connect the charger cable to the pack slot,
- connect the charger to a 230 V / 50 Hz socket,
- observe the diode on the charger – if the colour changes from red (with a largely discharged pack) to green, the battery is fully charged.

Charging a fully discharged battery takes about 2 hours and 30 minutes. When fully loaded, the charger stops charging automatically and the signalling diode turns green.



Warning! - The charger must not be repaired independently by users and disassembled by unauthorised persons.

The battery pack should be charged only with the use of the charger supplied by the manufacturer.

With regard to the user's safety and durability of the device, the charger must not be used in humid or wet places.

Before using the charger always check if its main elements, including cables, are not damaged.

Should any damage be identified, immediately disconnect the device from the power source and replace the damaged part with a new one by contacting an authorised service centre.

Attention! A charger is an auxiliary device used solely for the purpose of battery charging. It is not an integral part of DRAMIŃSKI SonoFarm mini ultrasound scanner, used during operation of the device.

Attention! Connecting the charger to the pack attached to the ultrasound scanner causes automatic disconnection from the power source and makes examination impossible.

Precautions for dealing with the Li-Ion battery pack

- Battery packs which form an integral part must not be disassembled.
- Contacts on the pack casing must not be connected with metal objects.
- Battery packs must not be thrown into the fire or heated up.
- Mechanical packs must not be impacted in any way or thrown.
- If an electrolyte leaks from the pack it, the user must immediately refrain from using the pack.
- Do not allow any liquid to permeate into the pack, which may result in a sudden increase in the battery temperature and cause danger.
- The battery pack must not be used or stored in high temperature, e.g. inside a car, directly in the sun, close to heat sources. Failure to comply with these rules may cause the electrolyte to leak from the battery and damage it or reduce its operating life.
- The battery must be charged in the ambient temperature of 0 ° C to 40 °C. Charging the battery in an ambient temperature different from the one provided above may cause danger and permanent damage of the pack.
- If, after a long-term use (about 500 cycles), problems with charging occur, the battery pack should be replaced.
- An old battery pack should be recycled in accordance with currently enforced regulations.

MAINTENANCE OF THE DEVICE AND PROBES

During use, the device may be contaminated, also with infectious agents. Directly after work, the device should be cleaned with a damp, wet cloth or paper towel, using a mild detergent. When cleaning, protect slots in the casing from moisture.

The surface of the device should be disinfected with a special agent for disinfecting medical equipment.

Attention! Ultrasonic probe must be carefully disinfected after each use.

After cleaning with a damp cloth, the ultrasound scanner should be wipe dry with a paper towel, if necessary.

The carrying case should be cleaned externally with water and detergent. The foam insert should be vacuumed regularly and cleaned with water and a mild detergent. A disinfectant solution, e.g. Virkon S, may be used for disinfection. Before using the carrying case, make sure that the foam insert is completely dry.



Warning! - Do not use heavily concentrated, aggressive agents and abrasives.

When wet cleaning, protect plugs, slots and holes in the casing against moisture.

It is advised that the ultrasound scanner users have regular technical inspections carried out by the producer every two years. It will help to ensure the highest level of patients' safety.

Operational and technical comments

Prepare the device and accessories before starting the work.

- Turn the power on and check if low battery is signalled.
- A special gel is necessary to carry out the examination (please use gels recommended for ultrasonography, ideally after making sure that they have special certificates authorising their use). Using other substances may be uncomfortable and ineffective and cause adverse effects. A generous portion of gel improves signal penetration and makes it possible to achieve a proper and clearer image. Before starting work it's good to make sure id there is enough gel for the planned examination.
- Images obtained during the penetration are influenced by a number fo factors, such as the place of applying the head, penetration surface (i.e. the manner of applying the head), amount of gel and, of course, experience and skills of the operator.
- During the examination, a keyboard is used to set the best parameters for operation in specific conditions. Gain control option should be used. The device 'remembers' previously used gain settings for individual scanning depths. A focusing function should be used, which contributes to obtaining more legible results for the examined object.

It is necessary to protect the head of the probe and the cable against physical damage.

Remember:

- To put the cable properly. Improper placement and twisting of the cable leads to its damage.
- To put the probe and the cable properly in the case. Avoid squeezing of the cable by the case's cover. It may cut the wire.
- To keep the probe in a proper and safe place.

TOUBLE SHOOTING

Typical symptoms	Actions to check the problem
Power off - the device won't turn off	1. Check if the pack is properly connected. 2. check operation with another pack
Improper image or lack of image	1. check if the head is properly connected and the connector is locked.
Image is too dark or too bright	1. check gain, gamma, MHz settings or enable factory settings
No charging signal in the charger.	1. check connections 2. check power supply
Short battery operating time	1. battery was not fully charged 2. v. low ambient temperature 3. battery is worn (a normal symptom resulting from the battery's construction and rules of using the battery)

If none of the basic actions helps, please contact DRAMIŃSKI S.A. service centre,
Phone: +48 89 675 26 00 or email: sales@draminski.com

GUARANTEE

The manufacturer hereby grants the buyer a 24-month guarantee for a trouble-free operation of the product used in accordance with the attached user manual.

The battery for the device has a 6-month guarantee.

In case of any failure occurring at no fault of the user, the manufacturer undertakes to repair the product no later than within 14 working days from the date of receiving the device at the service centre (Wiktora Steffena 21, 11-036 Sząbruk) and to return the device in good working order at the manufacturer's cost.

The guarantee excludes mechanical damage, damage resulting from improper operation, storage and independent repairs.

The guarantee is processed based on a proof of purchase (invoice). To make a complaint, the user should advise Dramiński S.A. immediately of any suspected fault within a reasonable time from the date of identifying a suspected Product fault, however not later than before the Guarantee expiry date.

To submit a warranty claim, the following steps must be taken:

1. Notify DRAMIŃSKI S.A. of the device malfunction immediately after it occurs.
2. Send the device to the Service Department (no later than before the warranty expiration date) or deliver it in person together with the proof of purchase, which should include the seller's and purchaser's details, the date and place of purchase, the device name, and its serial number.
3. A description of the malfunction must be enclosed with the device sent to the Service Department to ensure efficient diagnosis and repair of the damage:
 - Before shipping, the ultrasound device, carrying case, and all included accessories must be cleaned and disinfected (*in accordance with the Cleaning and Disinfection section),
 - Please pay particular attention when packaging the device to ensure that it is properly secured, as the manufacturer shall not be held liable for any damage incurred during transport.

The Guarantor is DRAMIŃSKI S.A.:

Wiktora Steffena 21, 11-036 Sząbruk, Poland

Phone: +48 89 675 26 00

e-mail: sales@draminski.com

www.draminski.com



DRAMIŃSKI S.A.

Wiktora Steffena 21, 11-036 Sząbruk, Poland

Phone: +48 89 675 26 00

E-mail: sales@draminski.com

www.draminski.com
